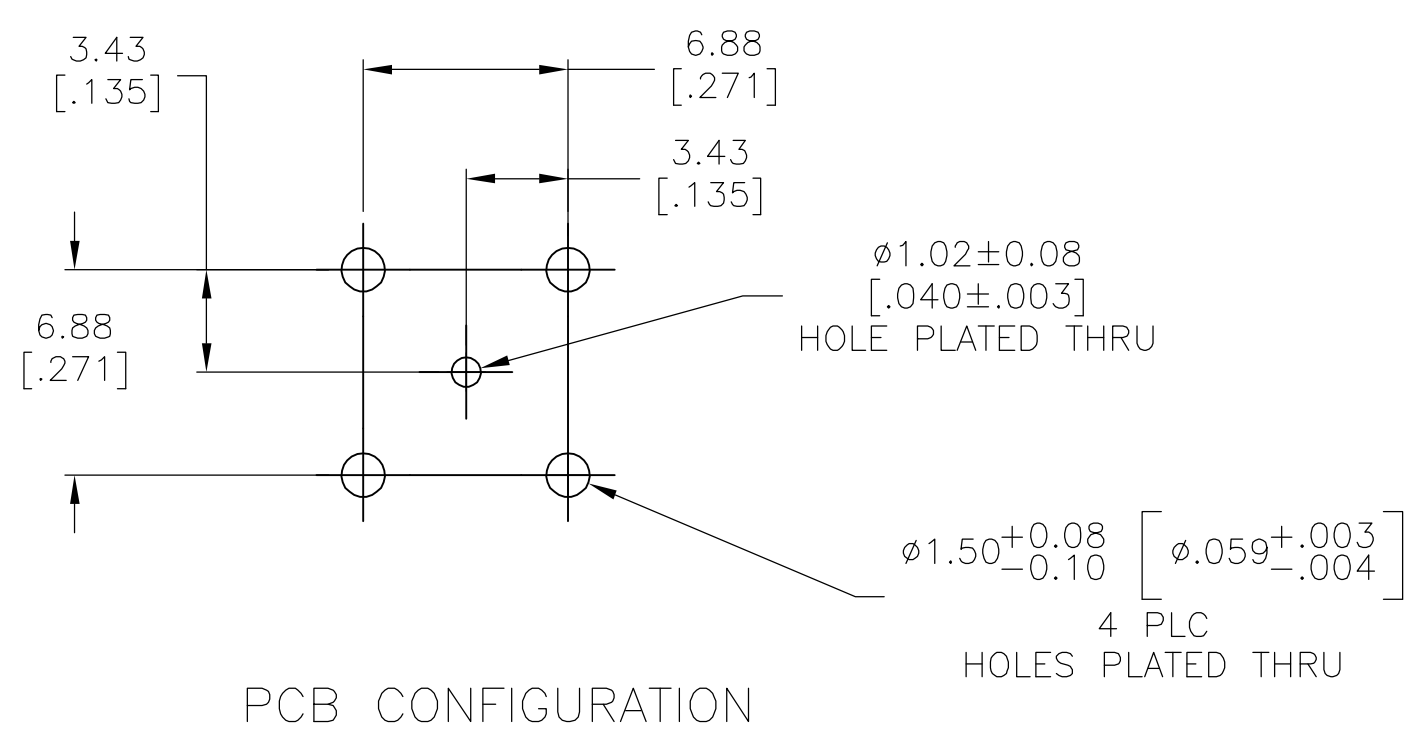
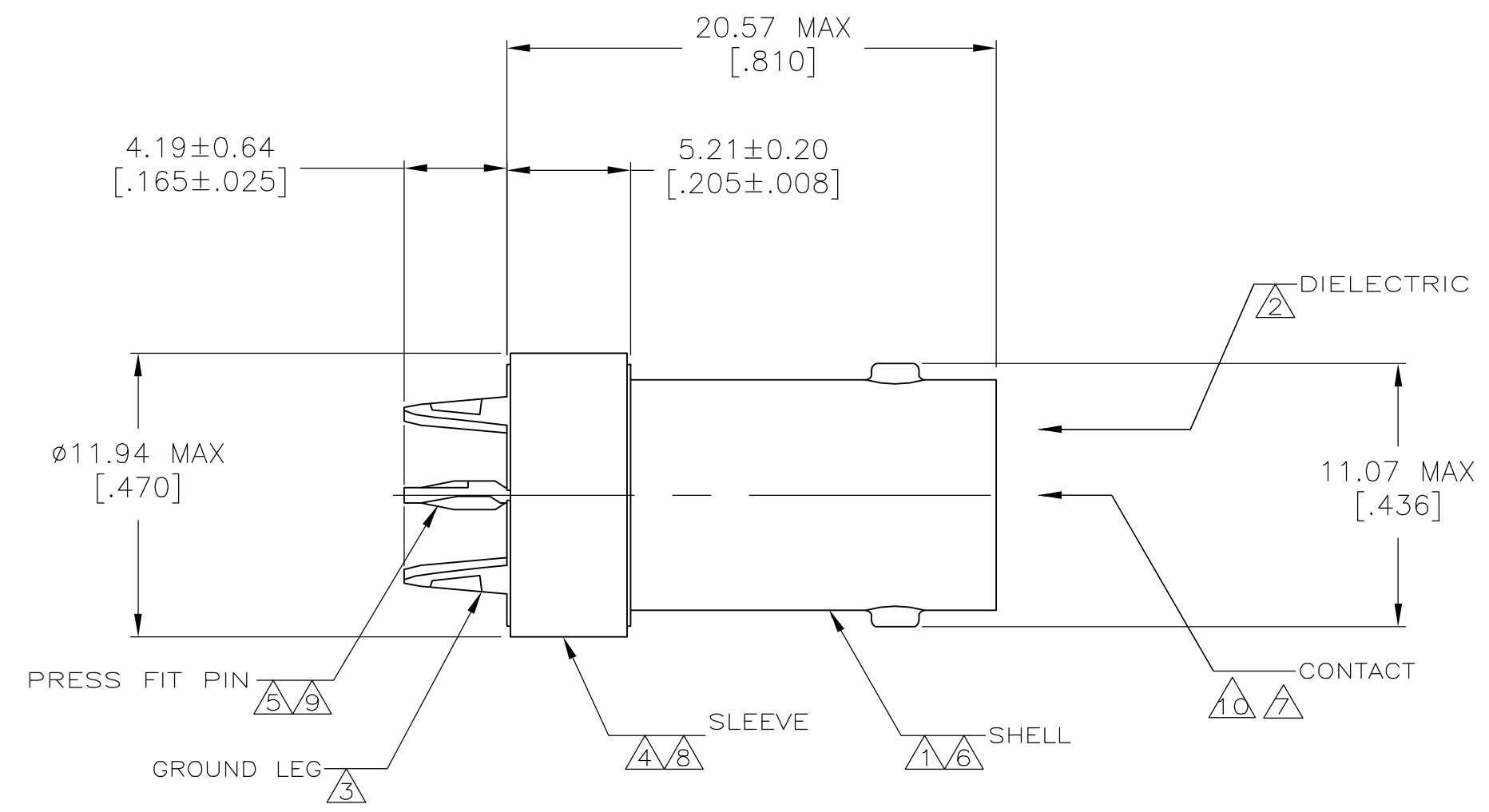


THIS DRAWING IS UNPUBLISHED. RELEASED FOR PUBLICATION
 © COPYRIGHT BY TYCO ELECTRONICS CORPORATION. ALL RIGHTS RESERVED.

LOC	DIST	REVISIONS			
P	LTR	DESCRIPTION	DATE	DWN	APVD
AJ	00				
	N	REV PER ECO 07-002853	21MAR2007	DW	JL



- 1 ZINC PER QQ-Z-363.
 - 2 PTFE PER MIL-P-19468.
 - 3 COPPER-IRON ALLOY PER ASTM-B-465.
 - 4 COPPER PER QQ-C-576.
 - 5 COPPER-NICKEL ALLOY PER ASTM-B-122.
 - 6 NICKEL PLATE PER QQ-N-290
3.81 µm [.000150] MINIMUM THICK.
 - 7 GOLD PLATE PER MIL-G-45204
0.76 µm [.000030] MINIMUM THICK.
 - 8 TIN PLATE PER ASTM-B-545,
2.54 µm [.000100] MIN THICK.
 - 9 GOLD PLATE PER MIL-G-45204
 - 10 BERYLLIUM COPPER PER ASTM-B-643
 - 11 .010±.001 THICK, MYLAR (POLYESTER FILM) INSULATOR, AMP P/N 1274912-1, ATTACHED TO BOTTOM, (NOT SHOWN).
 - 12 TIN-LEAD PLATE PER ASTM-B-545,
2.54 µm [.000100] MIN THICK.
13. CONNECTOR PRESS FIT IS DESIGNED TO PROVIDE 100 LB. MINIMUM AXIAL RETENTION TO PCB COMPLIANT WITH TYCO APPLICATION SPEC 114-12001. AS A RESULT, DEFORMATION OF PLATED THROUGH HOLES WILL OCCUR. CUSTOMER VALIDATION AND ACCEPTANCE OF THIS DEFORMATION IS RECOMMENDED PRIOR TO SPECIFYING USE OF THIS PRODUCT.

OBSOLETE	8	9-222462-0
	11	222462-4
SUPERSEDED BY 222462-1	12	222462-2
	12	222462-1
	GROUND LEG	PART NUMBER

THIS DRAWING IS A CONTROLLED DOCUMENT.		DWN J. LIPPERT 8-2-93	OSMAR01		Tyco Electronics Corporation Harrisburg, PA 17105-3608
DIMENSIONS: mm [INCHES]		CHK D. TAYLOE 8-5-93	APVD J. LIPPERT 8-5-93		
TOLERANCES UNLESS OTHERWISE SPECIFIED:		PRODUCT SPEC 108-12103		NAME JACK, PCB, HIGH RETENTION PRESS FIT, 75 OHM, BNC	
0 PLC ± -		APPLICATION SPEC 114-12001		SIZE A2	
1 PLC ± -		WEIGHT -		CAGE CODE 00779	
2 PLC ± 0.05 [.002]		FINISH 6 THRU 10,12		DRAWING NO C=222462	
3 PLC ± -		CUSTOMER DRAWING		RESTRICTED TO -	
4 PLC ± -		SCALE 5:1		SHEET 1 of 1	
ANGLES ± -		REV N			

222462